

QEX Files  
QEX Files for The Ultimate Keyer

David M Collins, AD7JT; email: [ad7jt@cox.net](mailto:ad7jt@cox.net)



Figure 1 -- Ultimate Keyer, front view.



Figure 2 -- Ultimate Keyer, rear view.

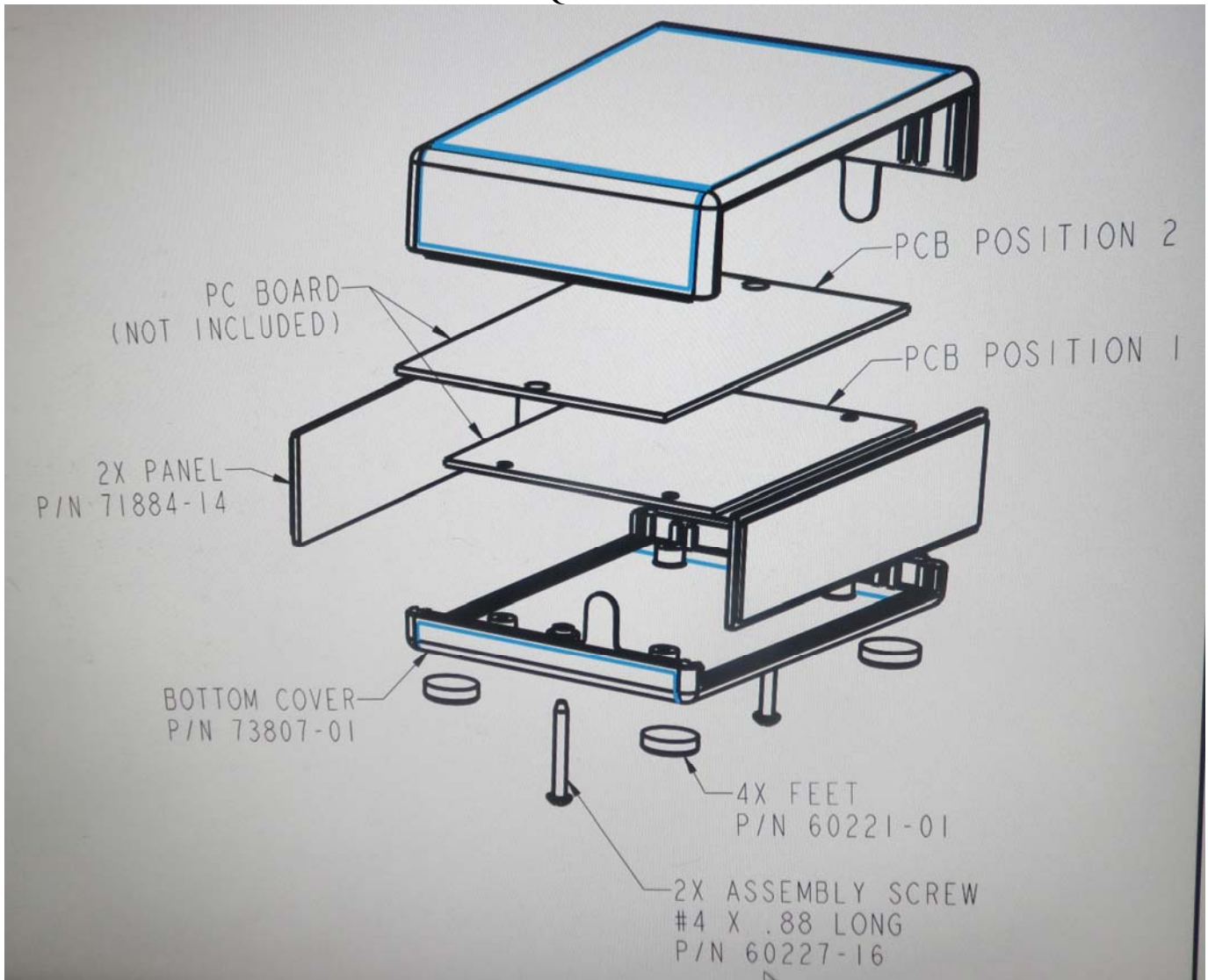


Figure 3 -- Keyer enclosure, exploded view.

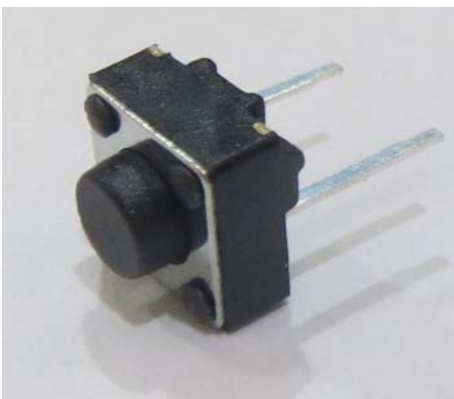


Figure 4 -- Pushbutton.



Figure 5 -- Mini-speaker.



Figure 6 -- LED display.

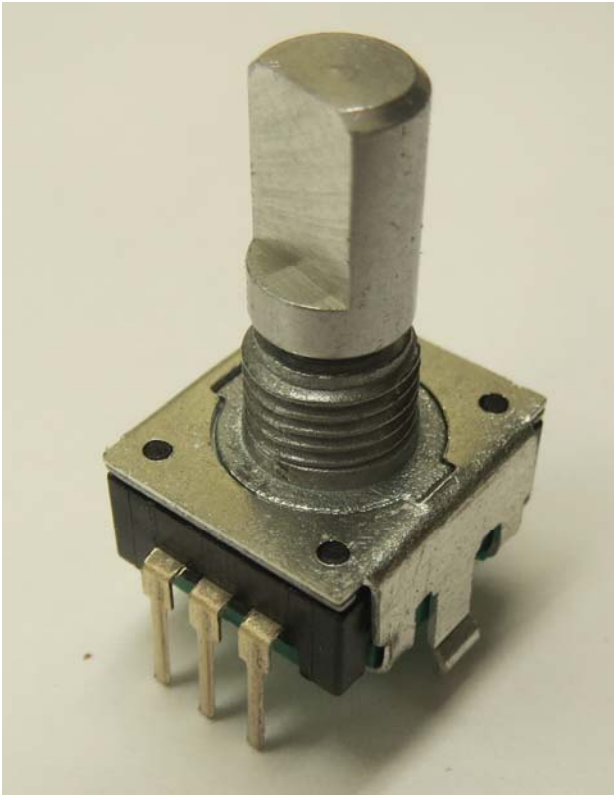


Figure 7 -- Rotary encoder.



Figure 8 -- 20-pin DIP MCU.



Figure 9 -- Converting 20-pin DIP through-hole socket to 20-pin DIP SMD Socket



Figure 10 Pins.



QEX Files



Figure 11 -- Front panel, front view.



Figure 12 -- Front panel, rear views.



Figure 13 -- Rear panel, rear (outside) view.



Figure 14 -- Rear panel, front (inside) view.



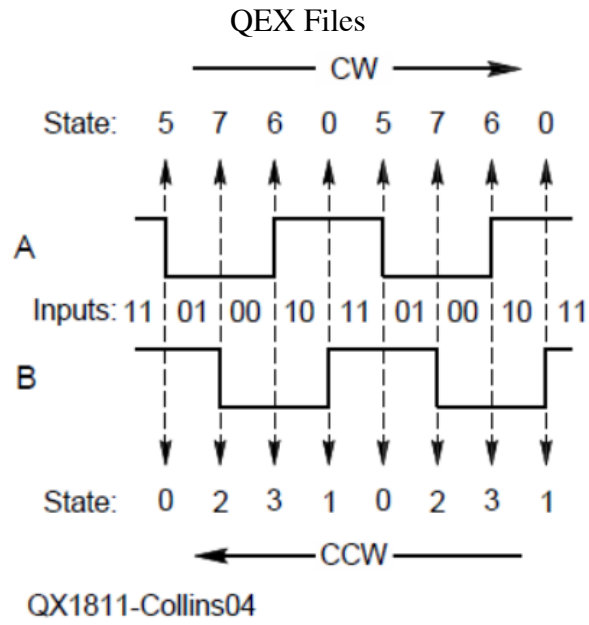


Figure 16 -- Rotary encoder output. [Figure 4 in the text.]

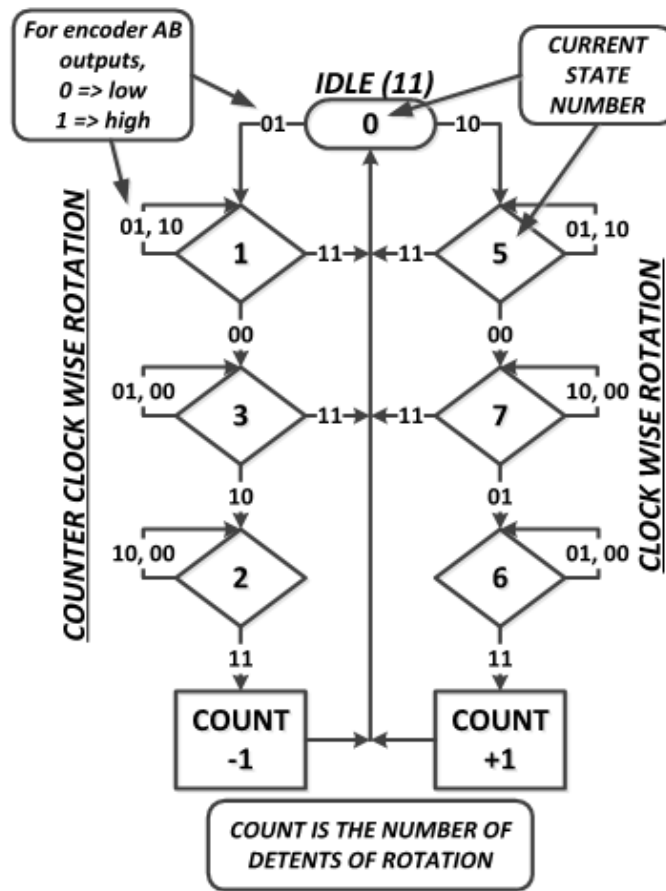


Figure 17 -- Encoder state diagram.

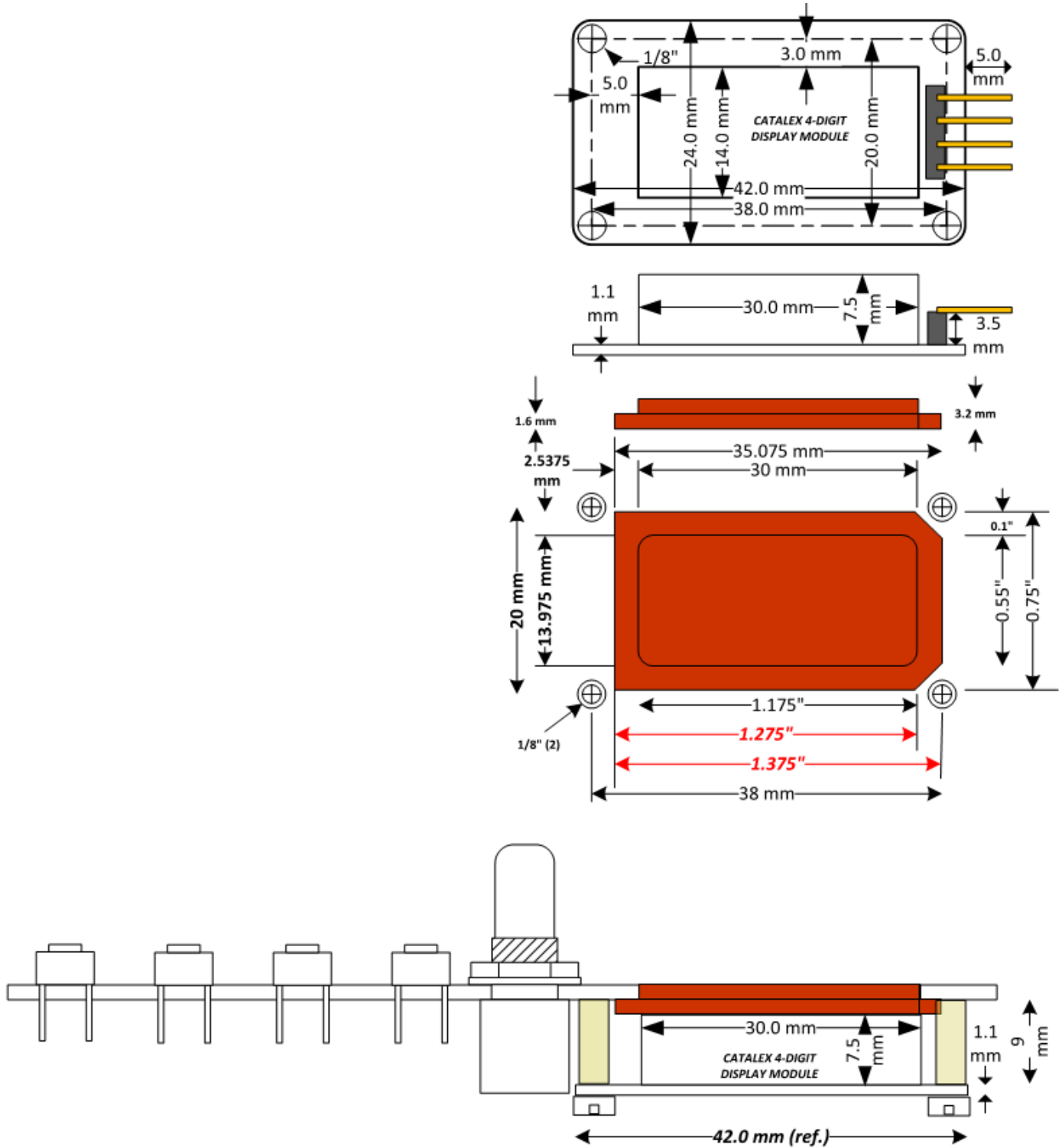


Figure 18 -- LED module, lens, and mounting detail.



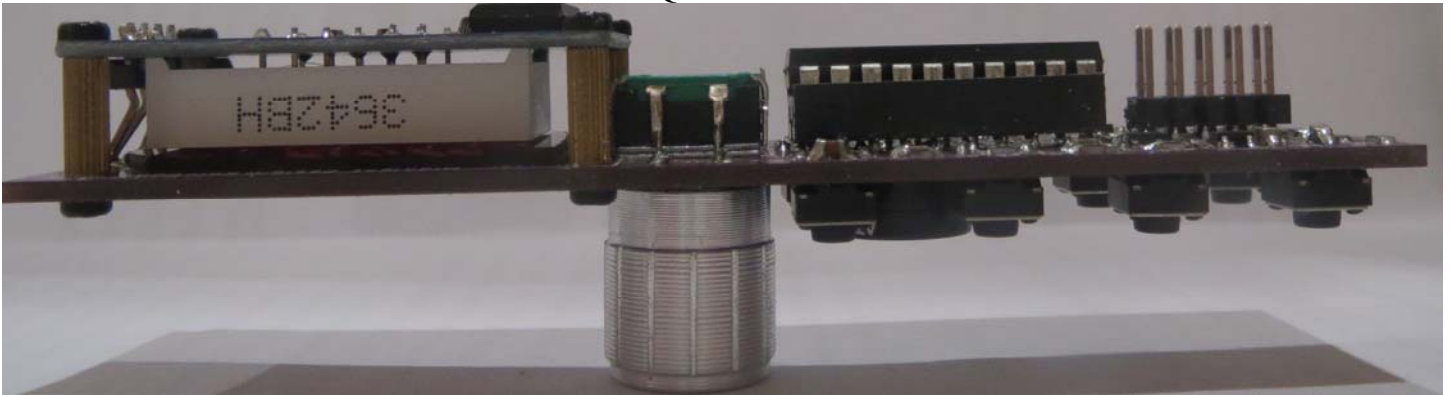


Figure 19 -- LED module and rotary encoder mountings

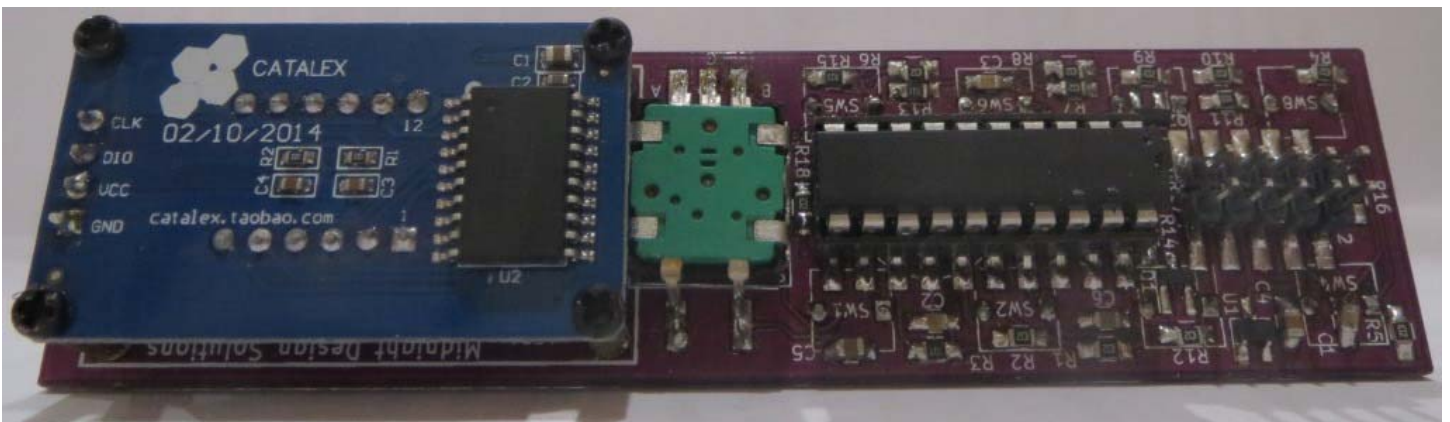


Figure 20 -- Front panel assembly, rear view.

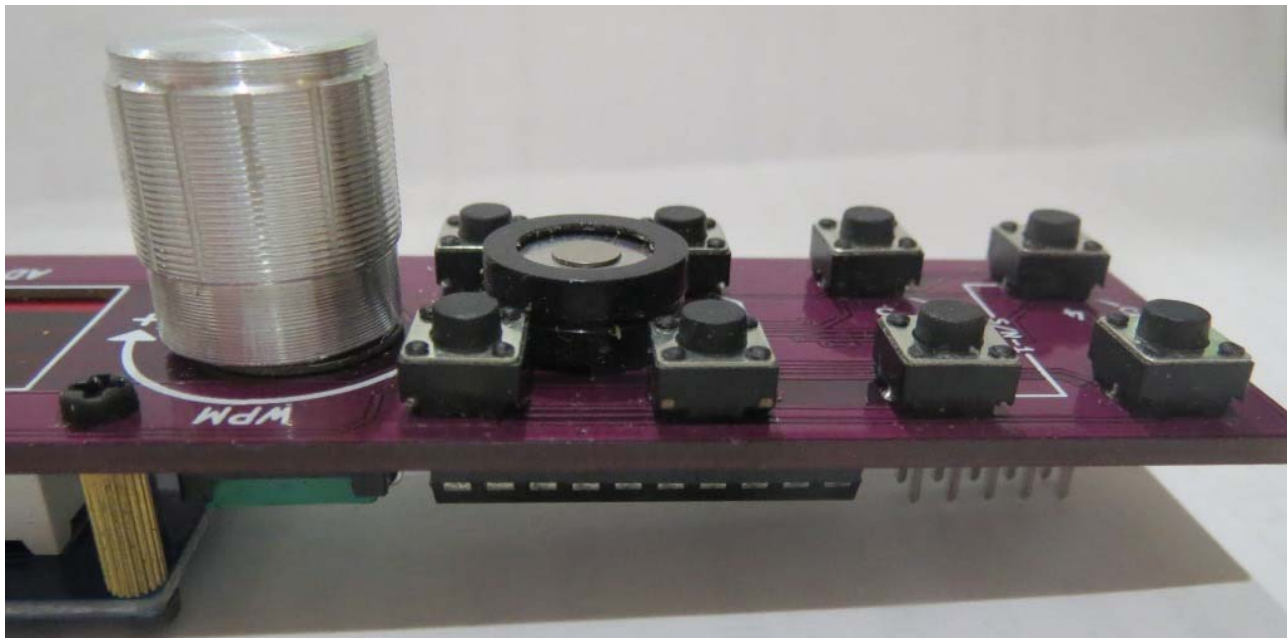


Figure 21 -- Front panel, side view showing pushbutton switch and speaker mounting.



QEX Files

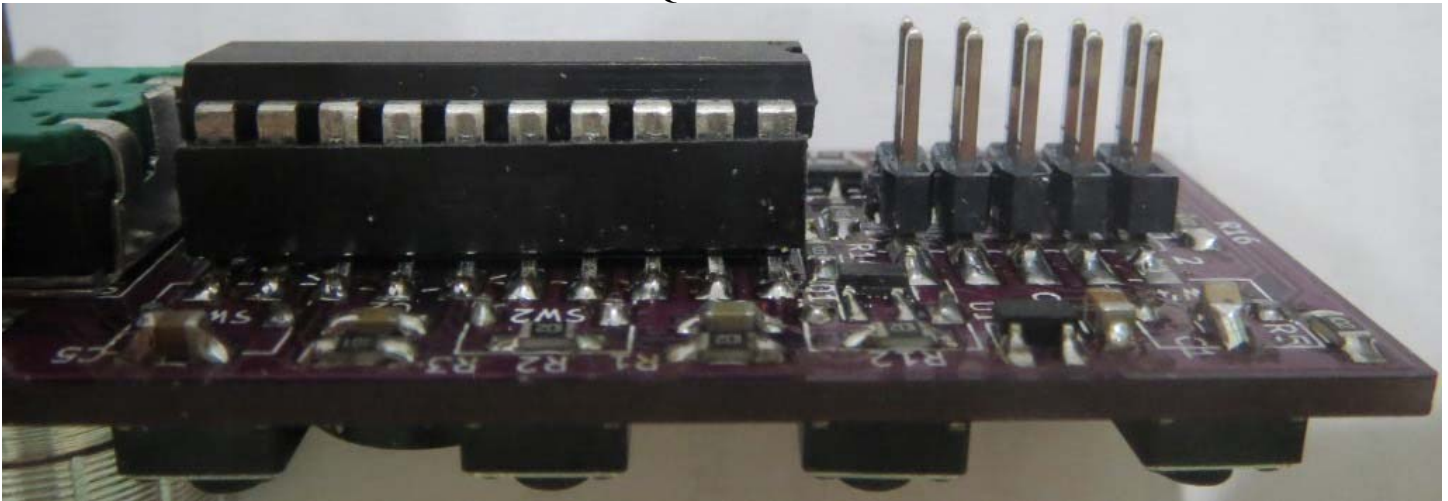


Figure 22 -- Front panel, side view showing SMD parts mounting.



Figure 23 -- 7-segment character fonts. [Figure 6 in text.]

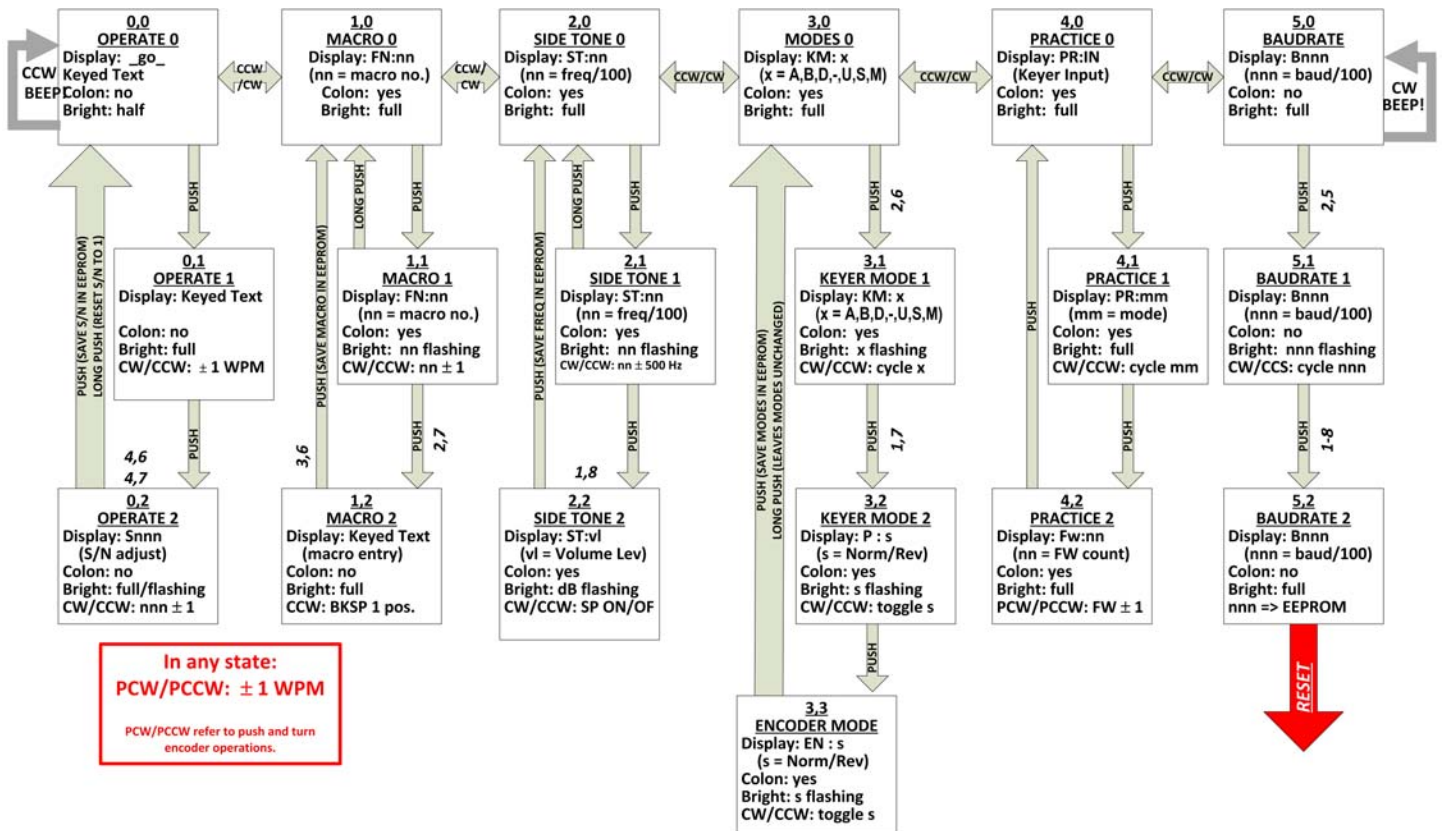


Figure 24 -- Ultimate keyer control state diagram. [Figure 7 in text.]